

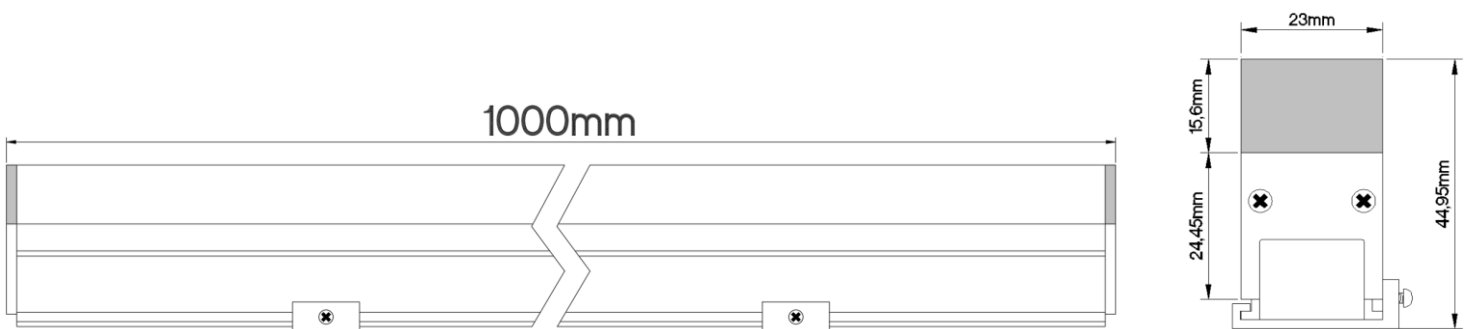
# Product Specification

Product Name: **Outdoor Linear Light**

Products Model: FCS -F1L23

## 1. Product Description

### Photos & Size



## 2. Product features

- ※ light with optical grade transparent silicone package, to maintain the original LED light beauty;
- ※ light body with high-quality aluminum alloy shell, the overall thick and solid and has a good electrical cooling performance;
- ※ light appearance of small and exquisite, and according to the building requirements spray similar to

the color;

※ The lamp is made of silicone waterproof and high-transparent glass cover program, is to meet the LED light-emitting heat and the perfect combination of weather and water;

※ lamps with double waterproof (structure + plastic injection), an effective solution to water problems;

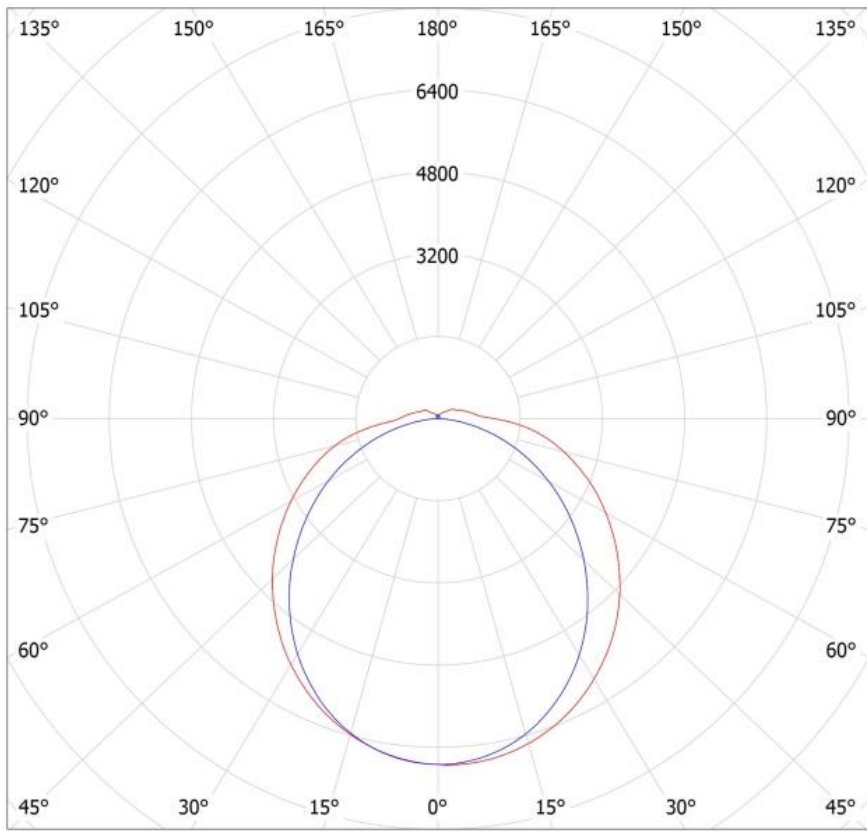
※ waterproof power cord with special waterproof bolts, with the lamp body with the anti-pull;

### 3. Technical Parameter

#### 1) Basic Technical Parameters

Product mode:	FCS -F1L23
LED source	2835LEDs (OSRAM/CREE) 100lm/W
Light Power	0.3W /LEDs
LED Qty	48pcs per meter
CCT	3000K /RGB/RGBW
Beam Angel	120°
Lamp Material	6063 Profile Aluminum, Anodized Sandblasted Surface Treatment
Lens Material	High light through the tempered glass cover / transparent
Input Voltage	DC24V
Control way	Un-control /control
Lifespan	50000H
Total Power	14.4W
IP Rating	IP65
Cable	Power cable: 2*0.75mm <sup>2</sup> /0.25m Signal cable :4*0.5mm <sup>2</sup> /0.25m
Size	23mm*44.95MM*1000MM (Length can be customized)
Adjustable Angel	Not adjustable
Driver method	Constant current
N/W	

2)  
M  
ce  
nt  
er  
illu  
mi  
na  
tio  
n



cd/klm

### Application:

LED wall washer light can lighting up to 10Meter ,widely used on government building,business places,metro,bridge,landmark building and so on !



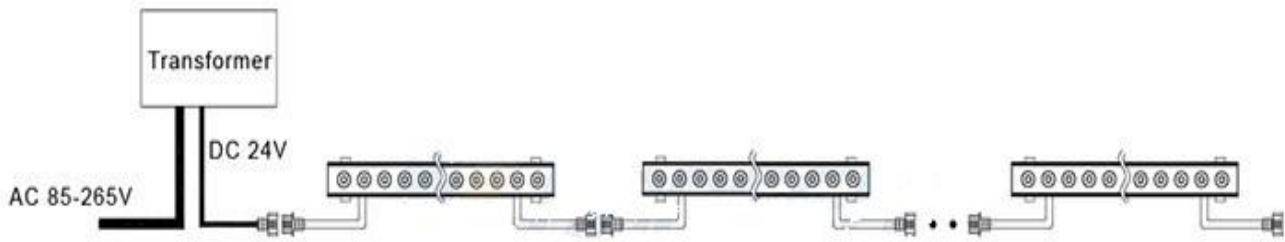


## 4. Product Reliability

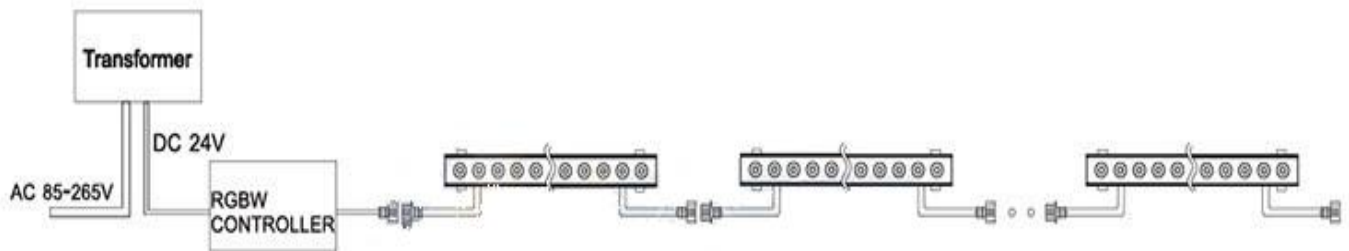
NO.	Item	Test methods	Through the standard
1	Temperature rise test	Ambient Temperature of 25°C, the lamp surface temperature below 65°C, LED temperature below 75°C	Ambient Temperature of 25°C, the lamp surface temperature below 65°C, LED temperature below 75°C
2	High temperature and pressure test	Ambient temperature of 60°C, enter the 1.1times rated voltage, light work 24hours	Lighting to work properly after the test
3	Low temperature and pressure test	Ambient temperature of -15°C, enter the 0.9 times rated voltage, light work 24hours	Lighting to work properly after the test
4	Vibration tests	Vibration velocity is set to 300rev/min, the amplitude is set to 2.54 cm, six surface vibration test on the packaged product.	The lamps can not occur off parts, structural damaged, the lighting does not shine and other anomalies.
5	Impact test at room temperature	Ambient temperature of 25°C, lighting 30s, lighting -30s, circulation 10,000	The lamps can not occur leakage,not lit and electrical anomalies
6	Life test	Ambient temperature of 25 ° C, lit test, the first three months every 10 days, testing, optical parameters, three months after a month testing the optical parameters, 70% of the initial luminous flux for the life of the product, turn off the lights for the absolute life	Luminous flux for 90% of the initial luminous flux of 3000 hours, 30,000 hours of luminous flux should be greater than 70% of the initial luminous flux

**Connection:**

### Singel Color



### RGB Full Color

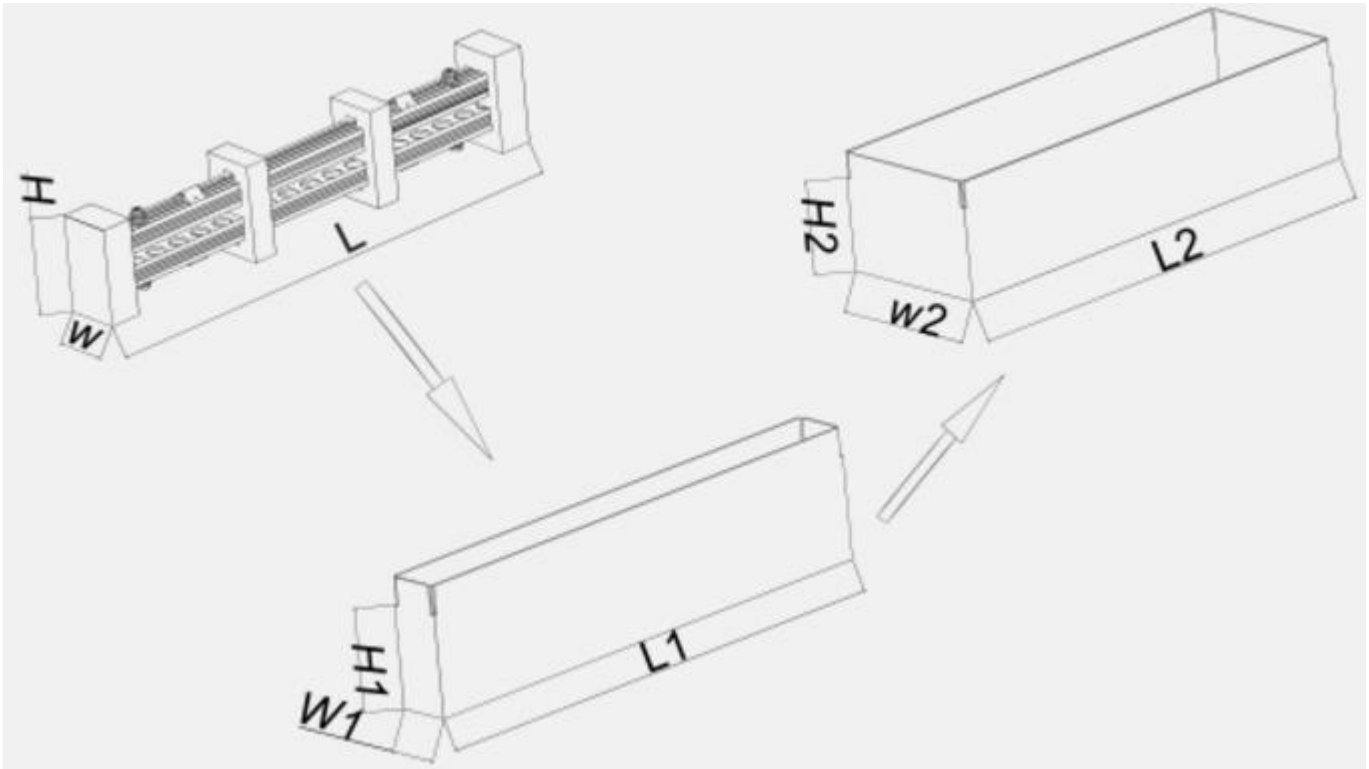


### DMX Control



## 5. Package

Project	Lamp Packaging	Reflector packaging
Q'tu	box/1	box/20
Size	L1000 x W44.5 x H70	L1000 x W500 x H300
N.W	0.8 kg	26kg
G.W	1.6 kg	37 kg

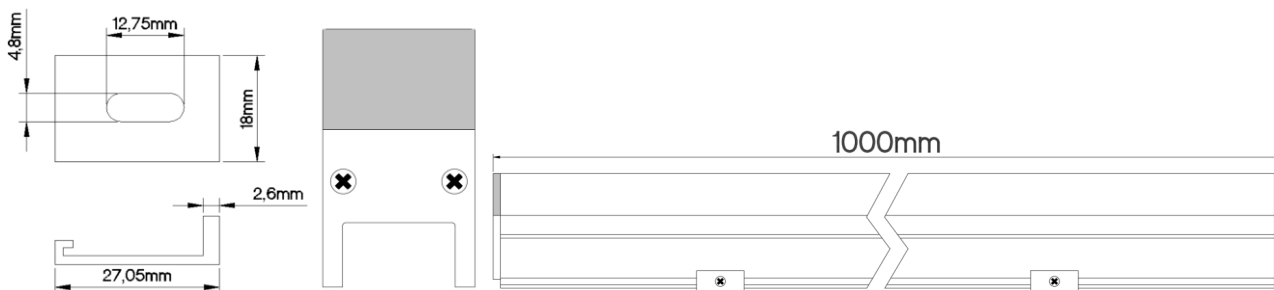


## 6. Installation Instructions

1. Open the lamp box, remove the lamp to check if there are any collisions and other injuries, if there is destruction, please contact the manufacturer immediately
2. Locking screws through the Bracket
3. Connect the AC Input Wire to the Electric Supply

### Installation:

**Not adjustable stand clip**



## 7. Note Description

1. All of the above test data are within the specified range of input voltage and rated output, the working environment temperature of 25 °C, humidity less than 85%, the emitting angle of 120 degrees under the conditions of the test to obtain.

- 
2. Checking the voltage, current compliance requirements before installation; please do not disassemble the product without authorization.
  3. If the products can not work properly due to product quality defects, the replacement will be provided within two years.